



DORANI TOUCH  
VIDEO INTERCOM SYSTEM

INSTALL MANUAL

MODEL: DORVT  
2 WIRE SYSTEM



[WWW.DORANI.COM.AU](http://WWW.DORANI.COM.AU)

Dorani (PJM Sales) – 03 9357 0942

4/1 Merri Concourse, Campbellfield, Victoria 3061

## FEATURES

- True Touch Screen functionality
- 4 x Door station connectivity
- 4 x Internal Monitors connectivity (SEE NOTE)
- Video Memory Recording (with addition of Micro SD Card)
- 2 Door Releases from the 1 Door Station (with DORV15 )
- Auto Divert to Mobile when not at home (with DORVT05/06 Installed)
- 2 Camera - CCTV Viewing from monitors
- Internal monitor paging and broadcasting
- Integrated Access Keypad Available
- DIN Rail Modular design
- Multiple cabling methods - star or looped (please see diagrams)

**Note: The system is designed to have 2 monitors alight and display images on initial call, all monitors in the system will ring. Pressing of non-imaged monitors will enable communication with the door station**

**On smaller cable runs, additional monitors may be able to be programmed to alight on call - - Dorani places no Guarantee on this feature**

## COMPONENTRY

DORVT01	7" LCD Touch Kit with Surface Door Station
DORVT02	7" LCD Touch Kit with Flush Door Station
DORVT03	7" LCD Touch Screen Monitor
DORVT04	4 Way Monitor OR Door Station Branch Controller
DORVT06	PSTN Phone Line Interface
DORVT07	CCTV 2 Wire Camera
DORVT08	CCTV Module
DORVT09	Power Supply Module
DORVT10	Audio Door
DORVT11	Surface Mount Door Station
DORVT12	Flush Mount Door Station
DORVT13	Surface Mount Access Control Door Station
DORVT14	Flush Mount Access Control Door Station
DORVT15	Additional Lock Relay Module

## CABLE

Cable diameter of 1mm<sup>2</sup> Stranded (twisted) MUST be used to achieve distances specified.

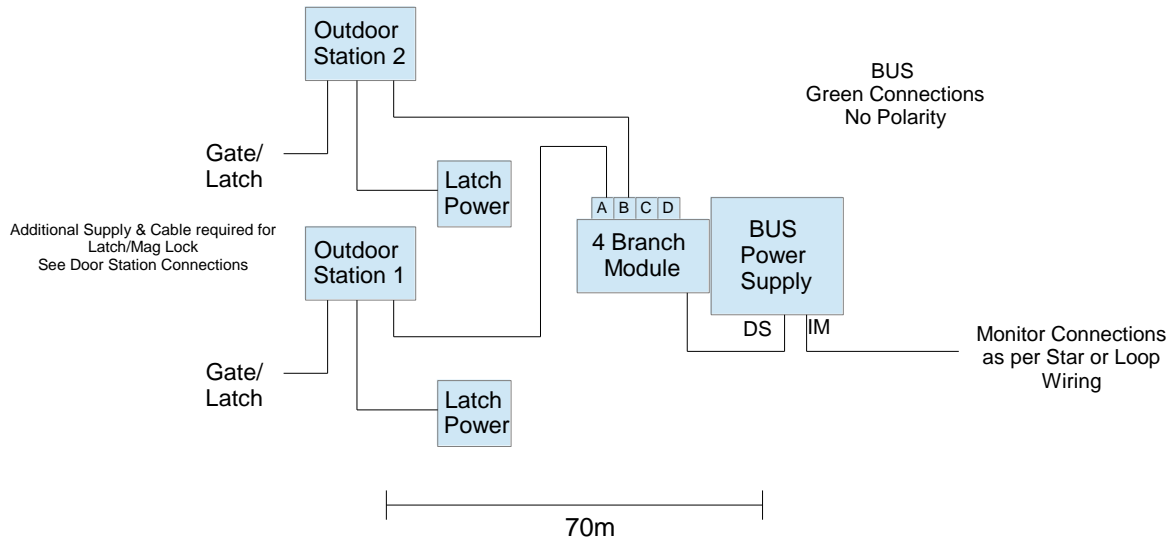
Recommended: 4 Core Security - 14/020 2 Conductors per Bus Line Wire  
Lock release will require an additional 2 cores for 12V Power feed to door station

Alternative Cables may be used –Cable distances and picture quality may be compromised. Do NOT use Figure 8 Cable for signal wires.



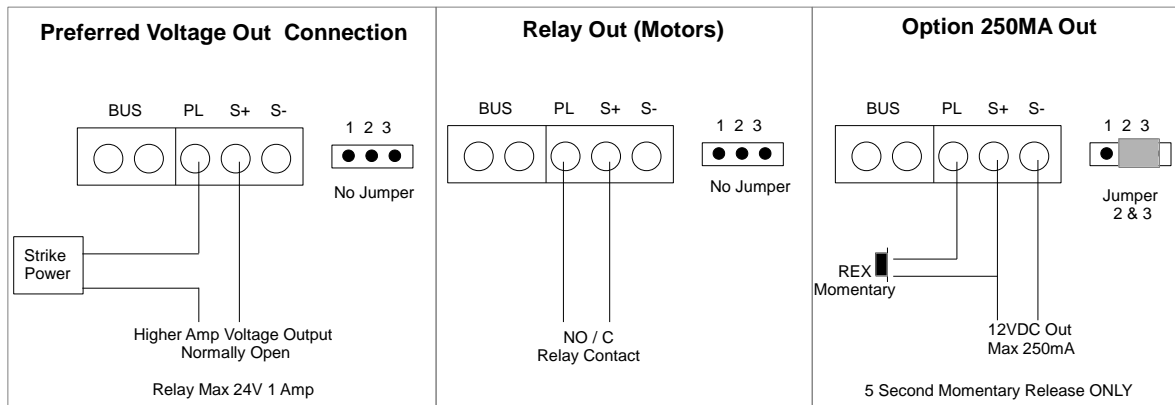
## CABLING SECONDARY DOOR STATIONS

**Image 2.1 Additional Doors**



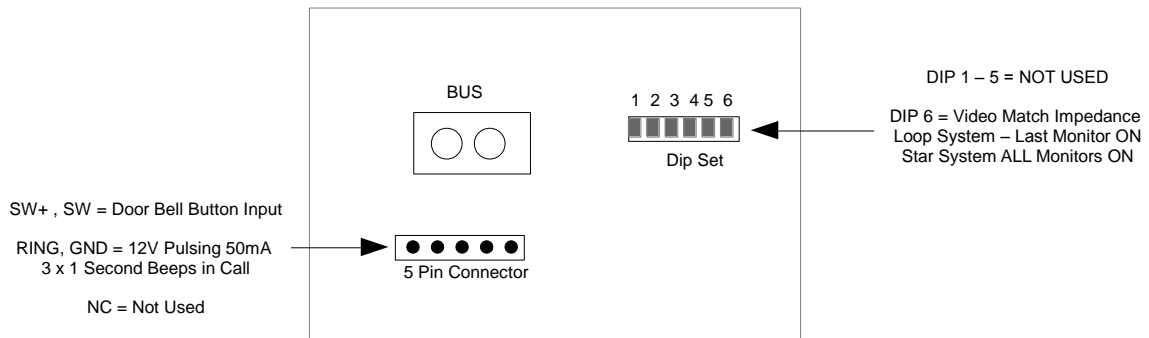
## DOOR STATION CONNECTIONS

**Image 3.1 Door Station Lock Connections**



## MONITOR STATION CONNECTIONS

**Image 4.1 Monitor Station Connections**



## INSTALLER PROGRAMMING

### **Accessing Installer Setup**

Touch Screen to bring up Main page

Press Dorani Symbol to show parameters 

Press and Hold Door release button  until Installer Setup keyboard is viewed

### **Monitor Address Programming**

Set Monitor Address by typing the numbers below and pressing OK.

ON EACH MONITOR – EACH MONITOR MUST HAVE A DIFFERENT ADDRESS

<i>Monitor</i>	<i>Address</i>	<i>On/Off Display on Call</i>
Master	8000	8006/8007
Sub 1	8001	8006/8007
Sub 2	8002	8006/8007
Sub 3	8003	8006/8007

Note:

The system is designed for 2 monitors to alight on intercom call, all monitors will ring and can answer the call if desired.

3<sup>rd</sup> and 4<sup>th</sup> monitors may alight on call if programmed, this is site dependant based on cable lengths and types. If a lower quality video image is displayed, turn off monitors.

### **Door Station Address Programming**

For when more than 1 door station is installed. The door station you set this too will then enable the monitor to view this door station.

#### NON KEYPAD DOOR STATIONS:

Remove front fascia cover using screws on back

The next steps need to be done QUICKLY

Power up Door station whilst holding TOP (B) button in for 3 seconds. The system should beep and flash)

Press and hold BOTH buttons for 3 seconds, the system should beep and the light should go out.

Press TOP button ONCE (it should beep 1 time)	=	Door 1
Press TOP button TWICE (it should beep 2 times)	=	Door 2
Press TOP button THREE TIMES (it should beep 3 times)	=	Door 3
Press TOP button FOUR TIMES (it should beep 4 times)	=	Door 4

Power off once completed OR wait 10 seconds without pressing any buttons

KEYPAD DOOR STATIONS:

Type Master Code (Default) 1234 # - Keypad lights should be White

Type 14# - Keypad lights should be Yellow

Type 0# (Default)	= Door 1	Lights should go green then white
Type 1#	= Door 2	Lights should go green then white
Type 2#	= Door 3	Lights should go green then white
Type 3#	= Door 4	Lights should go green then white

A red keypad means the address setting was incorrect.

Press \* to exit.

AUDIO DOOR STATIONS:

This is programmed by Dip Switch Settings on the rear of the station.

Door 1 = NO Switches ON

Door 2 = Switch 1 ON

Door 3 = Switch 2 ON

Door 4 = Switch 1 + 2 ON

**Lock Settings (to be done on monitor):**

The system is designed with a Relay Contact through the PL & S+ Terminals on the door station

A separate power supply is required if triggering a door gate release from these contacts, if an electric motor is to be triggered no additional power supplies need to be introduced.

These program changes affect ALL Door stations connected – the memory is held in the door station, connect door stations and program individually if you require different release times or release types for each door

Changing from Normally Open to Normally Close – Default = Normally Open

Enter the Installer Setup Page on the MASTER monitor

Normally Closed = Program 8011 and press OK

Normally Open = Program 8010 and press OK

Changing lock release time - Default = 1 Second

The time can be from 1 Second to 99 Seconds (8401 – 8499)

Enter the Installer Setup Page on the MASTER monitor

1 Second = Program 8401 and press OK

99 Seconds = Program 8499 and press OK

## **KEYPAD DOOR STATION DEFAULTING**

### *To Default all settings WITH Master Code*

Master Code # 00 # Master Code # - Wait till lights change colour - \* to exit

EG: If Master Code is Default (1234 # 00 # 1234 # WAIT)

### *To Default WITHOUT Master Code*

Power Down Door Station

Press and hold call button and Power up System (Hold for 3 seconds)

You will hear a short beep, short beep, long beep, short beep

Release call button

Press and hold call button again for 3 seconds

You will hear a long beep, short beep

Release call button

Press and hold call button again for 3 seconds

You will hear a long beep and the light will change to green

Release call button

System is now defaulted

**CONGRATULATIONS, on your new Dorani Video Intercom Product**

**Dorani Video Intercoms pride themselves on providing innovative solutions in domestic, commercial and apartment video intercom systems.**

**We endeavour to provide all of our clients with the highest level of customer service, and ongoing product support.**

**We value your feedback, and provide you with our warranty details below.**

### **Warranty**

**All Dorani Video Intercom products come with a limited 24 month warranty from time of initial purchase.**

**Damage caused by incorrect installation, negligence, abuse or malicious damage is not covered.**

**Damage from power strikes, surges, insect or vermin damage is not covered.**

**If you have any queries on the warranty of your product please do not hesitate in calling your installer or local distributor found on our website [dorani.com.au](http://dorani.com.au).**



**[WWW.DORANI.COM.AU](http://WWW.DORANI.COM.AU)**

**Dorani (PJM Sales) – 03 9357 0942  
4/1 Merri Concourse, Campbellfield, Victoria 3061**